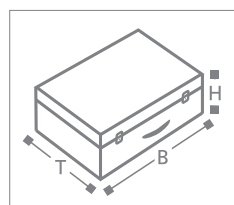


PERFECT LINE

Aluminium Frame Cases



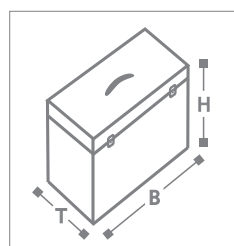


PERFECT LINE Case

- Rounded anodized aluminium frame extrusions
- Laminated surface in silver-grey Oslo No. 475 or black Oslo No. 421
- Lockable chrome snap locks
- Chromed Highline carrying handle
- Floating hinges, chrome plated
- Plastic corners with integrated foot studs
- Interior lining with washable synthetic surface

Mobility and interior design are individually adaptable (see p. 65 and following pages).

W/D/H (mm) Inside dimensions	Article No. Silver-grey	Article No. Black
345 x 255 x 70+47	130011.00	130011.01
400 x 300 x 70+47	130012.00	130012.01
440 x 320 x 78+47	130013.00	130013.01
500 x 400 x 110+50	130014.00	130014.01



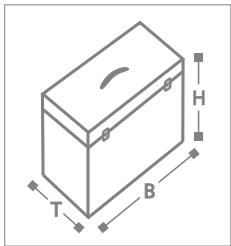
PERFECT LINE Box

- Rounded anodized aluminium frame extrusions
- Laminated surface in silver-grey Oslo No. 475 or black Oslo No. 421
- Lockable chrome snap locks
- Chromed Highline carrying handle
- Floating hinges, chrome plated
- Plastic foot studs with integrated foot studs
- Interior lining with washable synthetic surface

Mobility and interior design are individually adaptable (see p. 65 and following pages).

W/D/H (mm) Inside dimensions	Article No. Silver-grey	Article No. Black
325 x 140 x 170+50	130021.00	130021.01
390 x 200 x 200+60	130022.00	130022.01
450 x 200 x 260+60	130023.00	130023.01

PERFECT LINE



PERFECT LINE Office-Roller

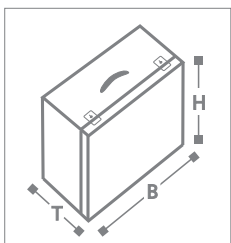
- Anodized aluminium frame extrusions
- Laminated surface in silver-grey Oslo No. 475
- Rollers with 150 mm diameter
- Retractable handle with swing mechanism
- Organiser tray in lid
- Compartment partitioning for hanging file system
- Variable compartments
- Removable plastic compartment for writing utensils

Flexible interior partitioning for all types of files and folders using a hanging file system. Variable partitioning using dividers, e.g. for notebooks.

Thanks to the retractable handle, mounted in exterior, the entire case capacity is usable. The lid could be opened without any difficulty even if the handle is drawn out.

	W/D/H (mm) Inside dimensions	Article No. Silver-grey
with rollers	405 x 220 x 300+47	130051.00

PERFECT LINE



PERFECT LINE Vendor-Roller

- Anodized aluminium frame extrusions
- Laminated surface in silver-grey Oslo No. 475
- Fitted with rollers, 150 mm diameter, and retractable handle
- Fitted with 3 drawers 40 mm high and 4 drawers 60 mm high
- Drawers are separately removable, empty
- Interior dimensions of drawers: 370 x 220 mm

Drawers can be individually fitted with rubber foam, partitioning system, small component bins and thermo-formed inserts.



	W/D/H (mm) Inside dimensions	Article No. Silver-grey
with rollers	414 x 307 x 410	130061.00

There are numerous individual options for the Perfect Line series due to a choice of multiple coloured surfaces and plastic corners or by mean of chrome coated finishing.

We offer diversity resulting from custom features and mobility through the use of our various roller systems.

Further information on pp. 65 - 84.



K Case, laminated surface silver-gey Oslo No. 475, interior light-grey rigid foam LD45, cut with water-jet.



K Case, laminated special colour, smooth, snap lock silver mat, Highline carrying handle, sticker on case surface.



K Case with laminated surface black Oslo No. 421. Top surface with single silk-screen printing. Plastic corners and connectors in black, automatic locks, silver mat, and Highline carrying handle mat.



K Case, aluminium smooth, anodized with single colour silk-screen printing. Combination locks, silver-grey, and Highline carrying handle, mat.



K Case, laminated surface yellow mandarin, extrusions black anodized. Coloured plastic corners, retaining eyelets for harness system. Interior with front panel and built in electrical components. The case can be used as a vendor's tray for promotional purposes.

U Uniport, laminated surface black mandarin, aluminium extrusions black anodized, plastic corners and all hardware in black. The upper lid has a transparent flap and pocket. In the lower part of the case is a die-cut foam insert, behind it there is a storage compartment. The front panel is fitted with a transparent pocket for displays.





K Case and box, aluminium, ribbed, anodized, chrome plated corners, chrome Highline carrying handle and chrome automatic locks.
B



K Case, laminated surface silver-grey Oslo No. 475. Inside surface of lid with 3-colour silk-screen printing, in base is a die-cut rigid foam insert, made from LD29 in black, on top is a removable foam compartment made of rigid foam LD45 in light-grey.



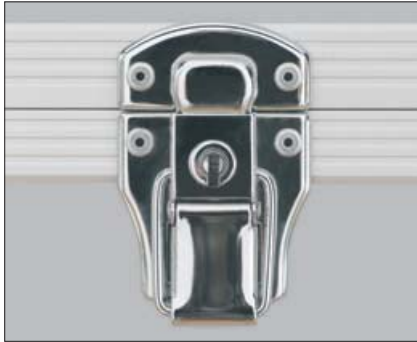
K Case, laminated surface silver-grey Oslo No. 475, automatic locks, silver mat, Highline carrying handle, mat, finish sticker on case's surface.



K Case has a mounting plate in lid, the front plate in the body of the case is wired for electrical components. Case exterior has sockets for electrical and communication devices.

PERFECT LINE Hardware solutions

Locks



Art.-No.620241: Automatic lock, chrome, with key



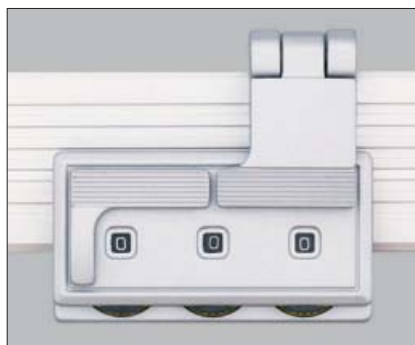
Art.-No.620203: Automatic lock, silver mat, with key



Art.-No.620220: Snap lock, silver / silver mat, with key

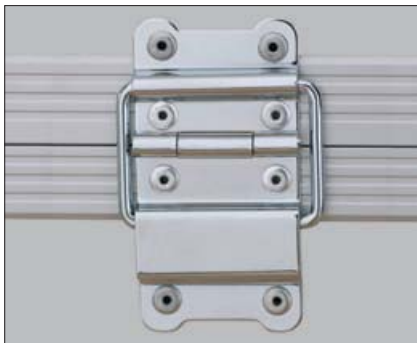


Art.-No. 620473: Snap lock, black, with key

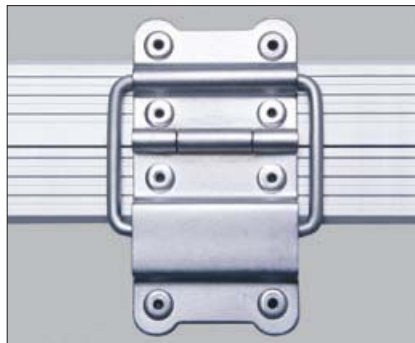


Art.-No. 620074: Combination lock, silver-grey

Hinges



Art.-No. 620244: Floating hinge, chrome, 8-hole, opening 93°



Art.-No. 620208: Floating hinge, silver mat, 8-hole, opening 93°



Art.-No. 620098: Floating hinge, black 8-hole, opening 93°



Art.-No. 620262: Detachable hinge, chrome, opening 180°



Art.-No. 620152: Pin hinge, chrome, detachable, opening 180°

All of the illustrated hardware is available for custom orders in the PERFECT LINE product line.

PERFECT LINE Hardware solutions

Handles



Art.-No. 620017: Handle Highline, silver mat

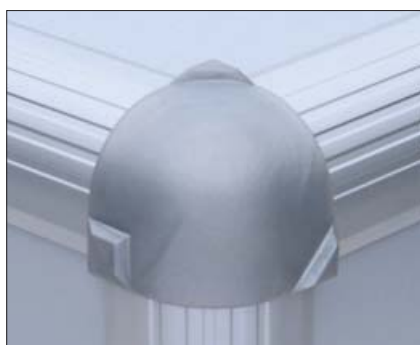


Art.-No. 620018: Handle Highline, chrome



Art.-No. 620286: Handle, black

Corners

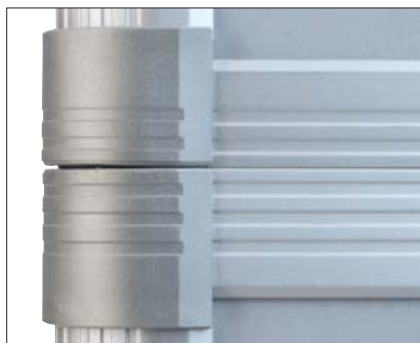


Art.-No. 620061: Corner, silver-grey



Art.-No. 620067: Corner, black

Connectors



Art.-No. 620059 / 60: Connector, silver-grey



Art.-No. 620065 / 66: Connector, black

All of the illustrated hardware is available for custom orders in the PERFECT LINE product line.

FEATURES

Mounting forms, technique and accessories



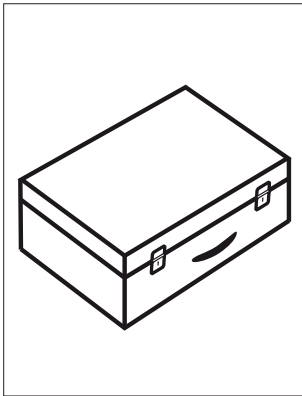
Structural Shapes



Structural Shapes

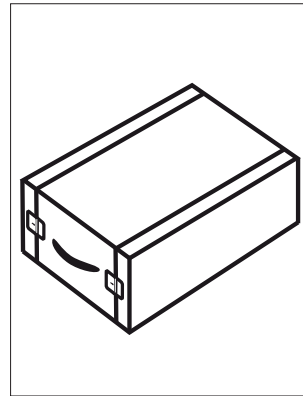
Mechanical drawings or schematic diagrams are one thing. In conjunction with the reality, technique is sometimes easier to explain. For a better understanding of the structural shapes, we have faced some real examples.

Structural Shapes



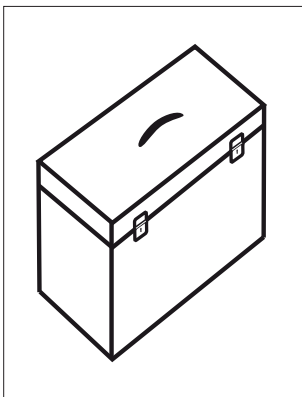
K Case

This all-purpose case has a short production time. Individual solutions are possible on short notice.



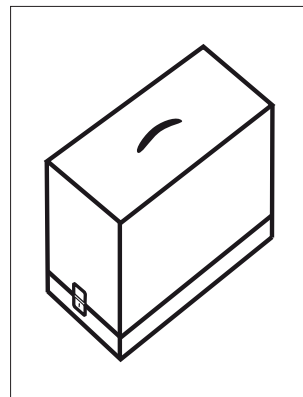
R Rack

The rack is the professional solution for transportation of measuring devices, either padded on all sides with foam or with an integrated front panel.



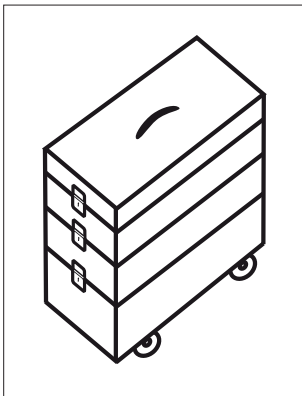
B Box

The box is ideal for transporting high or tall products, with fewer bottom area and necessary height.



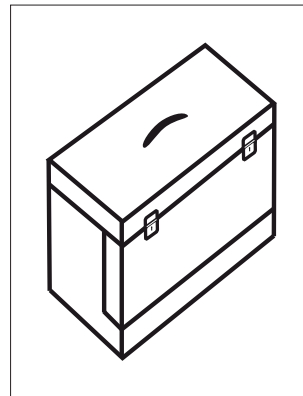
H Hood

The hood is ideal for presentation contents. Completely protected from all sides, but totally accessible once removed. Especially functional for heavy equipment.



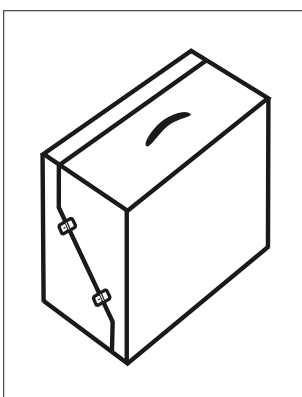
S Shopper

The shopper has optimal flexibility for presentation / vendor uses with its foam inserts which can be individually formed to perfectly fit instruments and measuring equipment.



U Uniport

The uniport is the perfect mix of case and box. Often preferred for measuring instruments or complex presentation uses. After opening the lid another front hatch offers even more accessibility to the contents.



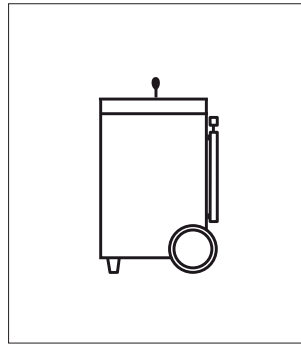
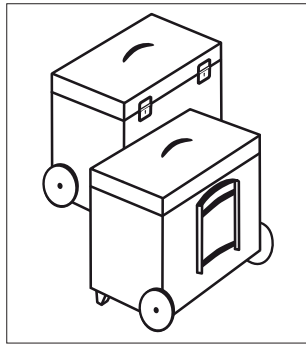
X X-Case

The x-case is the answer for the podium form presentation system. With two identical V-shaped halves this becomes the optimal presentation set.

Mobility and Handle Systems for Boxes

B1

Retractable handle, permanently mounted on exterior.

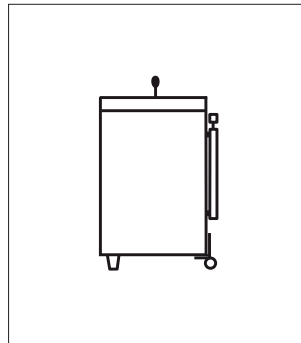
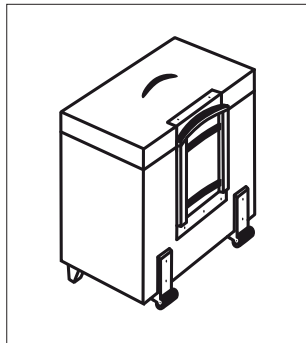


B1

Rollers 150 mm wide with rubber gripping surface for optimal comfort even on uneven grounds. Retractable handle mounted permanently on side of case.

B2

Retractable handle, mounted in pivoting exterior mechanism.

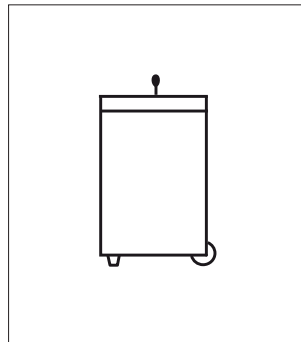
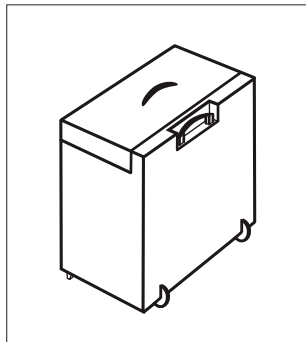


B2

Corner rollers 40 mm mounted on exterior

B3

Built-in retractable handle, permanently mounted.



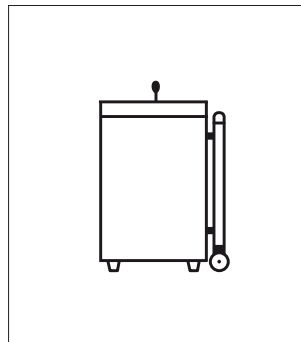
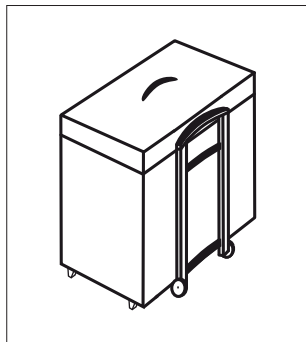
B3

Built-in inliner wheels. Inconspicuously integrated with smooth rolling feature.

Handle systems B1 - B3 are able to be individually combined with roller systems B1 - B3.

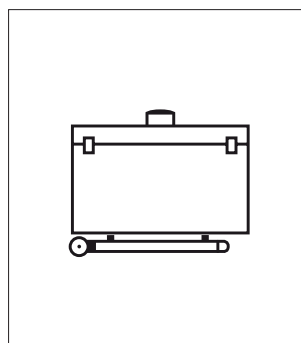
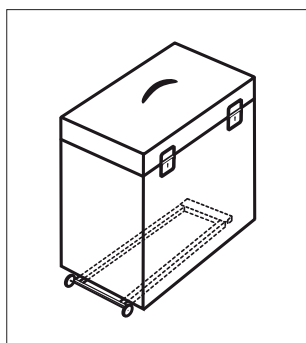
B4 **B4**

Trolley, retractable handle with integrated rollers. Removable with quick release lock. Mounted on back side of case.



B5 **B5**

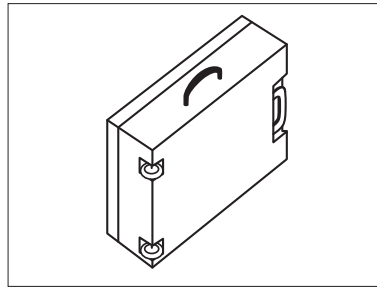
Trolley, retractable handle with integrated rollers. Removable with quick release lock. Mounted on bottom of case.



Mobility and Handle Systems for Cases



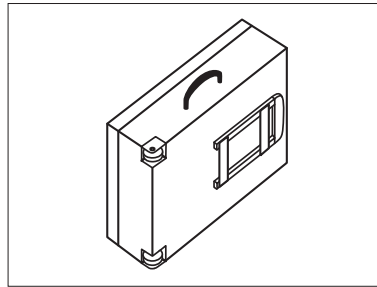
Built-in retractable handle, permanently mounted. Due to compact construction minimal space inside the case is lost.



Built-in inliner wheels. Inconspicuously integrated with smooth rolling feature.



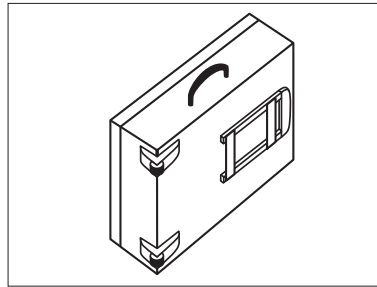
Retractable handle, permanently mounted on exterior. The affordable handle solution to retain usable space in the case.



Built-in corner rollers 50 mm.



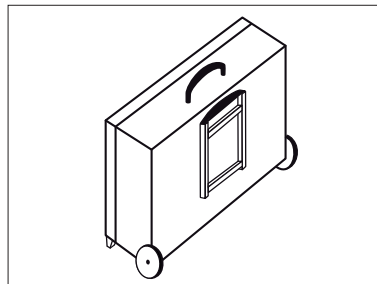
Retractable handle, permanently mounted on exterior. The affordable handle solution to retain usable space in the case.



Corner rollers 40 mm.



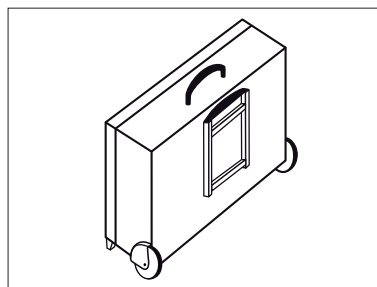
Retractable handle, permanently mounted on exterior. The affordable handle solution to retain usable space in the case.



Rollers, 150 mm wide, with rubber gripping surface for optimal comfort even on uneven grounds.



Retractable handle, permanently mounted on exterior. The affordable handle solution to retain usable space in the case.

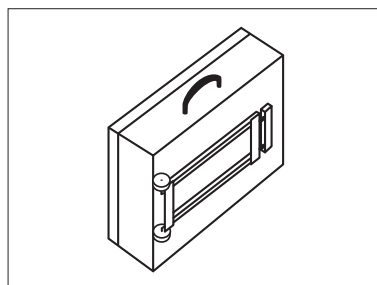


Attached rollers with "fenders"-die-cast housing, roller diameter 80 mm. Designed for use with heavy contents. Especially sturdy construction.

Handle systems K1 and K2 are able to be individually combined with roller systems K1, K2, K4, K5 and K6.



Trolley, retractable handle mounted on exterior. Removable with quick-release lock.



Surfaces and Colours



Standard, flexible or individual.

For each of the production lines we offer a wide variety of surfaces and material with standard cases. Within the framework of the designated range of surfaces, complete flexibility is possible.

With an eye for detail and your satisfaction as our goal, we'll always find the surface and colour solution that meets your every expectation.

With the understanding of the minimum quantity order, we "bend over backwards" to comply with your wishes.



Light-weight building board

The special light-weight honeycomb panel made of polypropylene is the ideal material to save on weight with larger cases, yet remains enormously sturdy.

Light-weight building board, black



Light-weight building board, grey



Surfaces and Colours

Silver foils / PVC foils

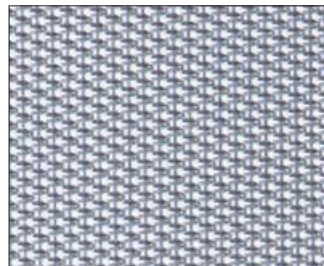
The high quality but affordable surface with great effectiveness in promotion an advertising. Optically there is little difference to real aluminium surface. Depending on the kind of surface it can be ideal for printing your CI on it.



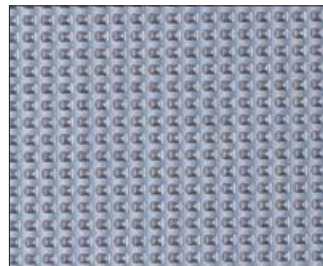
Silver foil
Brushed effect



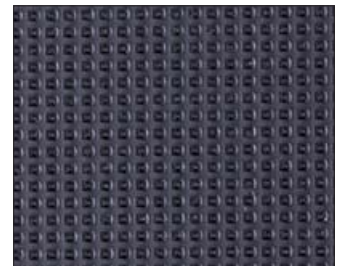
Silver foil
Diamond structure



PVC foil
Quattro, silver-grey



PVC foil
Quattro, black

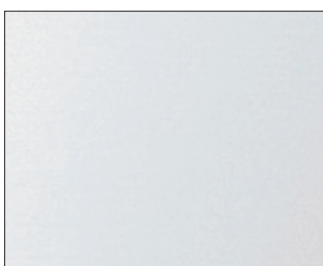


Aluminium

The special, elegant and high quality variation. This case will quickly become an indispensable part of your everyday accessories.



Aluminium plate
smooth, anodized



Aluminium plate
corrugated, anodized



Aluminium plate
stucco, natural



Surfaces and colours

Laminate

Durable, attractive cases thanks to multi-layers of laminated surfaces. Perfect for robust, demanding jobs. Long-lasting and resistant to acids, oil and heat due to the use of multi-layered epoxy resin materials.



Mandarin, Red No. 431



Mandarin, Yellow No. 860



Mandarin, Green No. 450



Mandarin, Blue No. 851



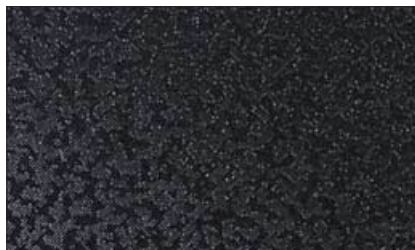
Mandarin, Grey No. 472



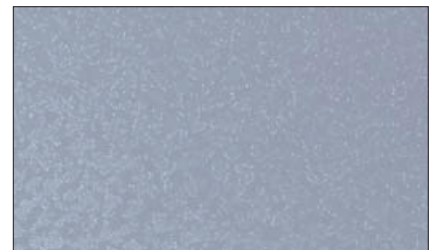
Mandarin, Black No. 421



Mandarin, Anthracite No. 551



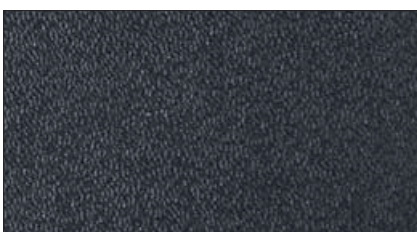
Oslo, Black No. 421



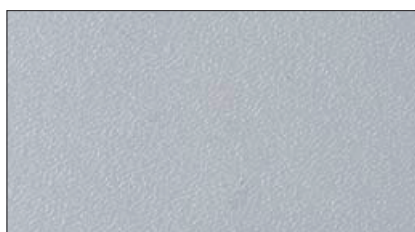
Oslo, Silver-grey No. 475

Polystyrene Construction Line PRIMO

Especially for the PRIMO production line: 2 mm thick polystyrene material with fine texture. Especially suitable for multi-coloured designs, heightening the individuality of your case.



Polystyrene, Black



Polystyrene, Silver-grey

Interior Design

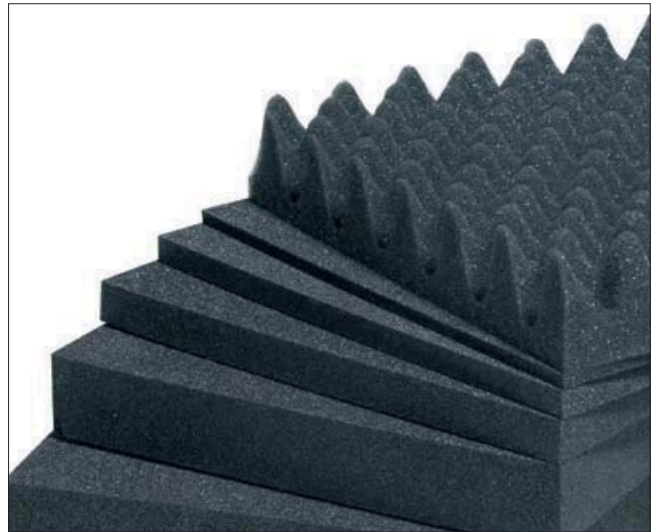
The coordinated inner features turn a case into a professional instrument for daily use. Smooth foam protects valuable content. We have precisely the right material for every possible requirement.

For optimal application in cases only two quality materials are used: Soft foam (EF) and rigid foam (PZ/LD).

Soft foam

Pliable foam from Polyurethane (PU) with a soft feel, e.g. nap foam is ideal for case padding and is relatively affordable in bulk purchase.

The colours range increment from light to dark-grey. Standard thicknesses are 20 / 30 / 40 mm.

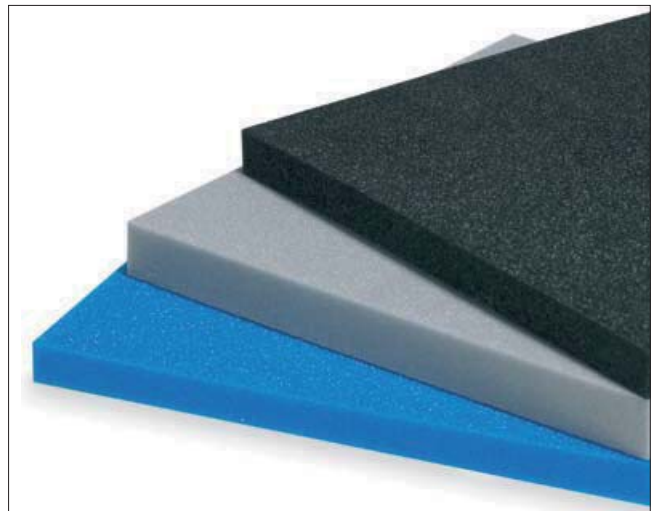


Rigid foam

The dense cellular, fine-poured foam made of plastazote (PZ) is ideal in presentation solutions because of its firmness.

By use of water-jet, milling or die-cutting, all of your products will rest securely in an exactly cut form. Colours in black, light-grey and light-blue offer many possibilities.

Standard PZ thicknesses are: 5 / 10 / 15 / 20 / 30 / 40 / 50 / 60 mm. Additional thickness can be attained by laminating layers of foam.



Notched foam

This specialised foam worked in panels with pre-cut notches is the perfect solution for variable dividers in cases. Increments of 15 mm allow you to design the compartments of your case to your individual needs. If necessary the size and depth of increments can be altered.

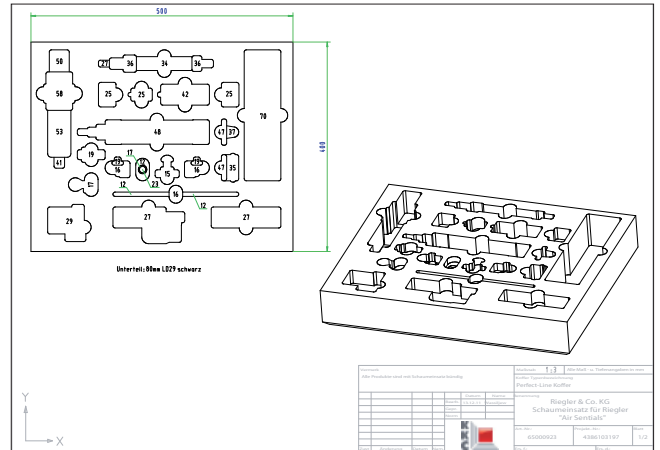


Processing of Foam

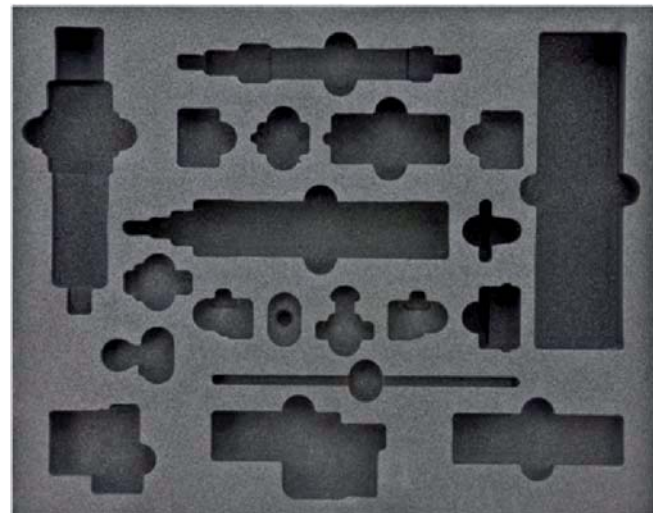


Milling

Complete 3-dimensionality of the cut-outs can be achieved in one operation. Rigid foam pads are the inserts' basic material. The individual profile of the cut-outs is computer programmed and guided. Even different heights and depths are no problem within one cut-out. The programmed form can be identically repeated at any time.



Several incoming parts simulate the contour of the cut-outs. With the help of CAD programs the profile of all cut-outs will be identified. The ideal order of products or rather of cut-outs results from the CAD drawing.



The CNC-milling machine carves out the profile of the foam according to the drawing. This form of insert can be identically repeated in bulk quantities. Quality remains the same.

Technology and Processing

Laser Engraving

The used machines make the direct labelling of the foams' surfaces possible. With this you will get the perfect product presentation as basis for a successful selling process.



Two-coloured milled foam insert



Water-Jet Cutting

Absolute precision is achieved with water-jet cutting. Sharp, gentle or round profiles are perfectly formed. The different heights are achieved by craftsmanship.



Form Cutting

The professional and of good value processing of flexible foam. Additional refining can be applied with flocking.



Deep Recessed Inserts



Deep recessed inserts are an affordable alternative to foam. Despite the one-time machine set-up costs the unit costs can be kept low. When stability is needed for heavy tools or easy cleaning is required for presentation, this is the answer.

Deep recessed inserts with smooth PVC

Deep recessed inserts of smooth, indelible PVC are the perfect solution when cleaning is necessary for medical instruments. Affordable, thin dividers are just the right thing for promotional and advertisement occasions. Thicker dividers are available for technical needs.

The standard colour is black; coloured and transparent inserts with textured or smooth surfaces are as well available.



Flocked plastic deep recessed inserts

To give special value to your products, present them on a velvet-textured surface with a flocked finish. Our black and coloured material which is always in stock guarantees an elegant result.



Compartment Divider Systems

Dividers come in handy when a large area needs to be compartmentalized.

Permanently mounted dividers

Permanently mounted dividers prove their worth when the compartments are constantly in use, especially in the professional field. They are indispensable for use as a standard tool case for larger products.

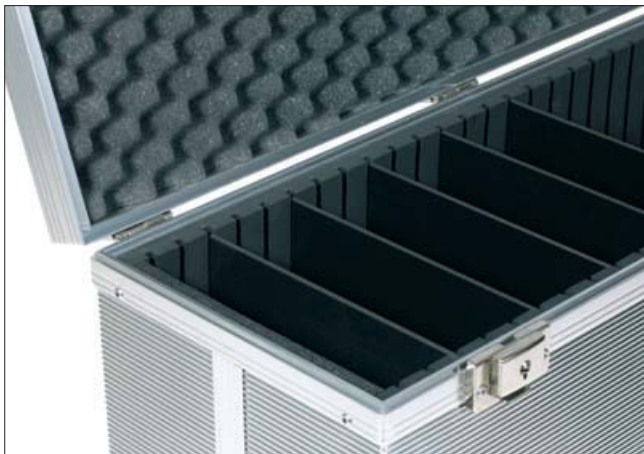


Variable Compartments

Variable compartments can be achieved with simply re-inserting the dividers into the pre-cut increments. This adjustable system ensures safe transport of the case's content. They could be laminated with foam for a safer transport.



Compartment Divider Systems



Notch-Insert System

Opposite case walls are lined with notch-insert rigid foam panels, fiber board or deep inserts. According to the needed size of compartments flexible dividers are easily slid into place.



Organisation Trays

Plastic assortment trays to achieve individual and perfect order for those small items in the case.

Four large coloured trays come as standard accessories. Customized colours, depending on the quantity, allow for limitless organization possibilities.



Specialised Trays

Specialised trays are indispensable for categorizing, organizing and establishing a clear overview for presenting all those small items. There are no limits to the variations.



Panels and Mounting Boards

Panels and mounting boards for safe and protected separation of products in both upper and lower parts of the case. Documents and small items all have their place.

Lid Panel

The lid panel ensures that all the contents remain neatly and safely in place during transport.



Organisation Panel

This panel acts not only to ensure that the contents remain in place but affords a diversity of possibilities for storage of documents and other items.



Tool Panel

Replaceable tool panel - able to be used in the lid as a storage and protection panel. Either single or double-sided with elastic holding bands or pouches and pockets for tools and work material. Remove the panels and you have a universal case.



Panels and Mounting Boards



Cover Panel

A transparent cover panel serves as optimal protection of your products and gives a clear view of your presentation.



Attaché Insert / Lid Panel

Attaché insert in lid of business case for papers, writing utensils and documents. You determine your organization system according to what material you choose. Everything you need is at a glance.



Panels and Mounting Boards

Mounting and Front Boards

For measuring, electrical- or electronic technique the placement and mounting of instruments in case is essential. The case assembly and front board have been designed just for this purpose. The front boards are held in place by sliding nuts as well as angle extrusions with pop rivet nuts.



Electrical Cabling and Assembly

Electrical cabling and assembly can be expertly carried out according to given plans and parts lists due to complete VDE 0100 certified electrical cabling unit. Instruments and functional parts can be integrated in the printed front board of case.



Drawer Cabinets



Drawers are the professional solution for transporting and presenting small products, product parts or product groups.

A successful presentation is achieved by means of high quality drawer features such as foam inserts, deep recessed inserts or completely tailor-made solutions.



Drawer Cabinets on Rollers

As an added feature we can mount your specialized drawer cabinet on rollers. When size and weight of the drawer cabinet exceed carrying convenience, our roller system is mounted which enhances effortless mobility of the complete cabinet as, for example, a brochure display.

Drawer Cabinets

Removable Drawers

Not only can these drawers be extended for ideal viewing, but they are easily removed and replaced. Sophisticated and elegant features as well as custom coating bring out the quality of your product.



Drawers with Covers

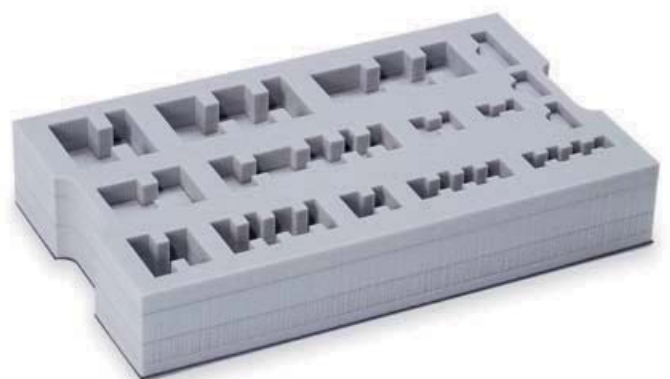
For special requirements the drawers can be fitted with covers. This ensures a tight hold for content or serves as a display cover should there be a need for keeping certain items out of immediate view.

The drawer covers can be made of the same material as the drawer itself, if desired.



Foam Drawer

The foam drawers are advantageous due to the light-weight rigid foam material reinforced with a bottom panel. Ideal for small and light-weight products.



... for every case: Individualising with CI and Promotion.

Use the surface of your case of box to promote your company:

Depending on the choice of surface we offer a wide range of possibilities for your "message", your CI or your market presence to "catch the eye" of your potential customer.

Refine "your" case.

Show your colours; show your competence through identification to your firm. Promote and strengthen your new line of products.

Use your case to penetrate the market.

Labels / Transfer Labels



Screen-printing - Direct Printing



Laser Engraving (only on aluminium plate)



Embossing (only on aluminium plate)



Digital Print, multi-coloured



Labels / Dome Labels





KKC cases GmbH

Tailor-made Cases and Carrying Cases
Schröttinghauser Straße 20
32351 Stemwede-Levern

Tel. +49 (0)5745.92050
Fax +49 (0)5745.920529

info@kkc-cases.de
www.kkc-cases.de

