

# EXTREME

Sturdy Aluminium Transport Boxes





**EXTREME - Alubox ALPHA.**  
**The top model.**

Professional quality of the **extreme** - alubox product line. For high demands regarding protection and transport, indispensable for storage of valuable and sensitive goods.

- Most stability thanks to 1.2 mm thick aluminium plate with pressed profile rills
- Top handling thanks to solid aluminium casting stacking corners
- Compatible with nearly all identically constructed products of different producer
- Permanent folding function using indestructible, continuous high quality steel hinge band
- Deep-seated rubber gasket as perfect protection against invasion of dust, humidity and splash water
- Additional strengthening using aluminium profiles which are welded on bottom and lid
- Sturdy, long lasting clip locks
- Further protection of the locks using sealing, padlock and clip against bursting of
- Solid full rivets on all riveted spots
- 50 kg weight-bearing capacity on the ergonomically formed and sturdy handles

Interior design is individually adaptable (see p. 59 and following pages).



Lock



Clasp handle



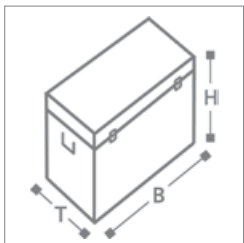
Aluminium stacking corner



Rubber gasket



Piano hinge



Type	W/D/H (mm) Outside dimensions	W/D/H (mm) Inside dimensions	Article No.
Alpha 27	400 x 300 x 340	350 x 250 x 310	505100.00
Alpha 44	600 x 400 x 250	550 x 350 x 230	505101.00
Alpha 62	600 x 400 x 340	550 x 350 x 320	505102.00
Alpha 73	600 x 400 x 410	550 x 350 x 380	505103.00
Alpha 67	600 x 600 x 260	550 x 550 x 220	505104.00
Alpha 115	600 x 600 x 420	550 x 550 x 380	505105.00
Alpha 175	600 x 600 x 620	550 x 550 x 580	505106.00
Alpha 84	800 x 400 x 340	750 x 350 x 320	505107.00
Alpha 157	800 x 600 x 410	750 x 550 x 380	505108.00
Alpha 239	800 x 600 x 610	750 x 550 x 580	505109.00
Alpha 423	1200 x 800 x 510	1150 x 750 x 490	505110.00

## EXTREME - Alubox BRAVO. Low-priced and solid.

The composition of cost awareness and professionalism in the **extreme** - alubox product line. Professional features for most of the demands regarding protection and mobility as well as appropriate storage of valuable and sensitive goods.

- Most stability thanks to 1.0 mm thick aluminium plate with pressed profile and corner rills
  - Professional stackability thanks to solid aluminium casting stacking corners
  - **extreme** - boxes BRAVO and ALPHA are stackable
  - Compatible with nearly all identically constructed products of different producer
  - Two steel hinges and two positioning straps hold the opened lid
  - Deep-seated rubber gasket as perfect protection against invasion of dust, humidity and splash water
  - Additional strengthening using aluminium profiles which are welded on bottom and lid
  - Sturdy, long lasting clip locks
- Further protection of the locks using sealing, padlock and clip against bursting of



- 50 kg weight-bearing capacity on the ergonomically formed and sturdy handle
- Mounting of the aluminium casting stacking corners with full rivets, all other rivet connections are mounted with pop rivets

Interior design is individually adaptable (see p. 59 and following pages).



Lock



Clasp handle



Two solid hinges

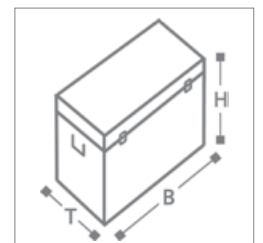


Rubber gasket



Positioning strap / lid holder

Type	W/D/H (mm) Outside dimensions	W/D/H (mm) Inside dimensions	Article No.
Bravo 27	400 x 300 x 340	350 x 250 x 310	505200.00
Bravo 42	600 x 400 x 250	550 x 350 x 210	505201.00
Bravo 60	600 x 400 x 340	550 x 350 x 310	505203.00
Bravo 73	600 x 400 x 410	550 x 350 x 380	505204.00
Bravo 81	800 x 400 x 340	750 x 350 x 300	505205.00
Bravo 157	800 x 600 x 410	750 x 550 x 380	505206.00
Bravo 240	800 x 600 x 610	750 x 550 x 580	505207.00





**EXTREME - Alubox CHARLY.**  
**Without frills, practical, at good value.**

The **extreme** - alubox CHARLY combines high efficiency and low costs.

- Practical stability thanks to 0.8 mm thick aluminium plate with pressed profile rills
- Stackability thanks to profile lid and stacking rim
- Two steel hinges and two positioning straps hold the opened lid
- Deep-seated rubber gasket as perfect protection against invasion of dust, humidity and splash water
- Additional strengthening using aluminium profiles which are welded on bottom and lid

Interior design is individually adaptable (see p. 59 and following pages).



Two solid hinges



Clasp handle



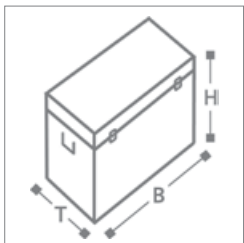
Positioning strap / lid holder



Stacking rim



Welded stacking profiles



Type		W/D/H (mm) Outside dimensions	W/D/H (mm) Inside dimensions	Article No.
Charly 29		380 x 280 x 350	360 x 260 x 320	505301.00
Charly 47		570 x 370 x 270	550 x 350 x 240	505302.00
Charly 70		580 x 380 x 380	560 x 360 x 350	505303.00
Charly 90		770 x 370 x 380	750 x 350 x 350	505304.00
Charly 140		890 x 480 x 380	870 x 460 x 350	505305.00

## EXTREME - the Alubox SYSTEM. Comprehensive, thought out and flexible.

Aluminium is the basic material in future for comprehensive use.

- Light and solid
- Odourless and hygienic
- Corrosion-resistant and weather-resistant
- Magnetic neutral
- Immune to temperature variations
- Completely recycable

KKC offers the **extreme** - alubox SYSTEM in great variety for the countless uses. Hence the right size with the right interior design is available for every area.

Even for the transportation area the **extreme** - alubox SYSTEM offers appropriate solutions. Diverse trolleys and transport trolleys allow simple conversion.

For further stacking euro-pallets made of aluminium offer compatibility to other stacking systems.







**Perforated U-Box**

Perforated U-boxes, e.g. for clammy contents which need to be ventilated well (for example wet clothes after a fire brigade action, clammy laundry but also fresh meat or something like that) or warm contents during cooling (for example thermoplastic production, fresh bakery or something like that).

**EXTREME - the Alu U-Box. For logistic and stock circulation.**

**extreme** - the open U-box as perfect collecting box for daily routines in logistic and warehouse management. These open transport boxes are designed for industrial use corresponding to the measurements of euro-pallets.

Also excellent for transport or storage of groceries in bakeries, gastronomy or pharmacy.

- Light and solid
- High stability thanks to 1.0 mm thick aluminium plate
- Quick comparison of label and product
- Stackability thanks to stacking rim
- Compatible with nearly all identically constructed products of different producer
- Sturdy, ergonomically formed spring clasp handles with positioning function up to 50 kg weight-bearing capacity
- 4 handles on the perforated U-box for using in drawer functionality



Type	W/D/H (mm) Inside dimensions	Article No.	perforated, 4 handles	closed, 2 handles
U-Box	550 x 350 x 300		505351.00	505351.01
U-Box	750 x 550 x 300		505352.00	505351.02



**EXTREME - Trolley. For easy handling.**

Intelligent solutions for easy transport of the aluminium boxes.

Absolute solid installation of the trolley, mounted on bottom of box. With a simple clip mechanism the solid trolley is fixed. The retractable handle and the large rollers with rubber gripping surface enable easy transport even of heavy loads.

Trolley functionality on request.

# Features

Mounting forms, technique and accessories



## Structural shapes



**S** Shopper



**R** Rack



**X** X-Case



**K** Case



**B** Box



**U** Uniport



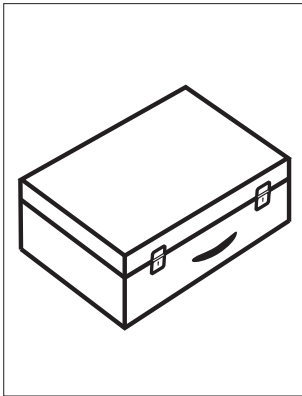
**H** Hood

### Structural Shapes

Mechanical drawings or schematic diagrams are one thing. In conjunction with the reality, technique is sometimes easier to explain. For a better understanding of the structural shapes, we have faced some real examples.

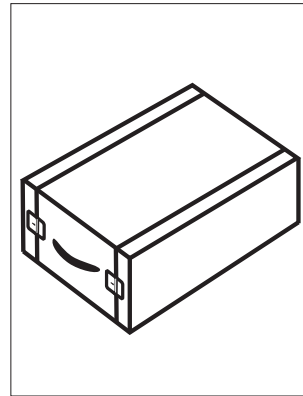


## Structural Shapes



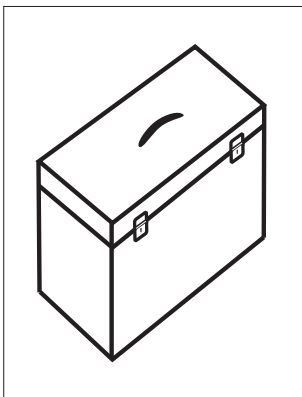
### **K** Case

This all-purpose case has a short production time. Individual solutions are possible on short notice.



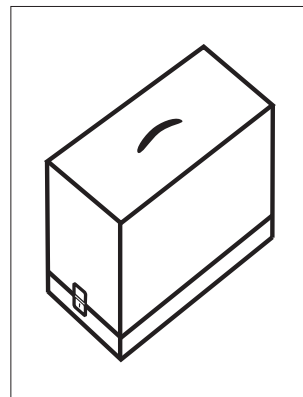
### **R** Rack

The rack is the professional solution for transportation of measuring devices, either padded on all sides with foam or with an integrated front panel.



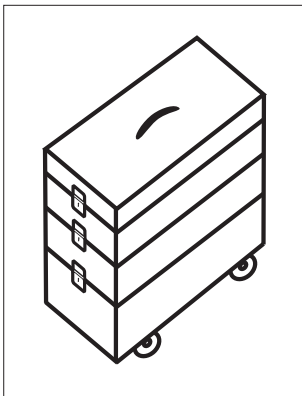
### **B** Box

The box is ideal for transporting high or tall products, with fewer bottom area and necessary height.



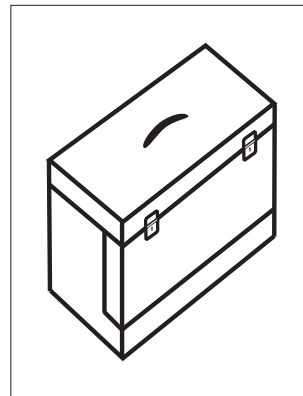
### **H** Hood

The hood is ideal for presentation contents. Completely protected from all sides, but totally accessible once removed. Especially functional for heavy equipment.



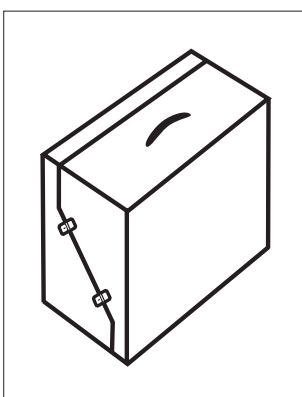
### **S** Shopper

The shopper has optimal flexibility for presentation / vendor uses with its foam inserts which can be individually formed to perfectly fit instruments and measuring equipment.



### **U** Uniport

The uniport is the perfect mix of case and box. Often preferred for measuring instruments or complex presentation uses. After opening the lid another front hatch offers even more accessibility to the contents.



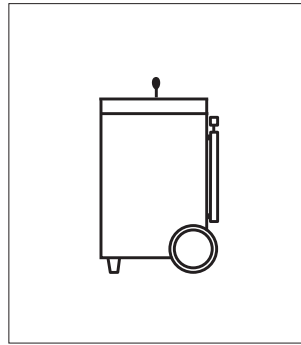
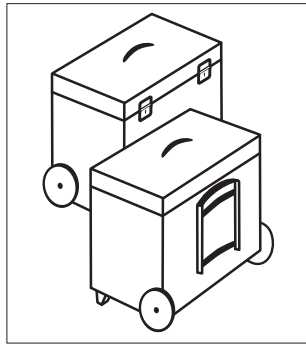
### **X** X-Case

The x-case is the answer for the podium form presentation system. With two identical V-shaped halves this becomes the optimal presentation set.

## Mobility and Handle Systems for Boxes

**B1**

Retractable handle, permanently mounted on exterior.

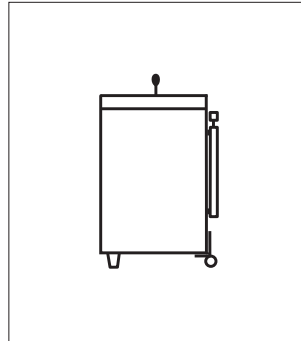
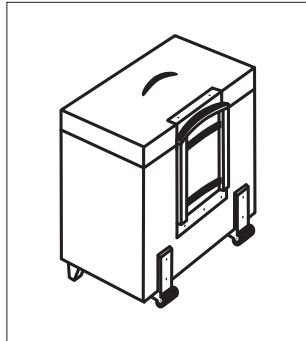


**B1**

Rollers 150 mm wide with rubber gripping surface for optimal comfort even on uneven grounds. Retractable handle mounted permanently on side of case.

**B2**

Retractable handle, mounted in pivoting exterior mechanism.

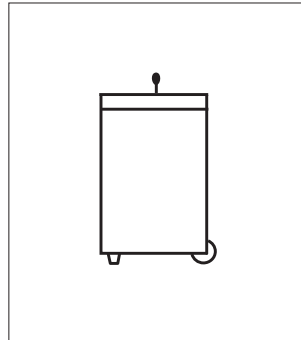
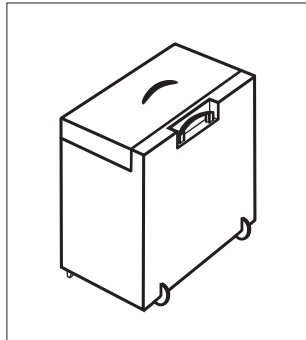


**B2**

Corner rollers 40 mm mounted on exterior.

**B3**

Built-in retractable handle, permanently mounted.



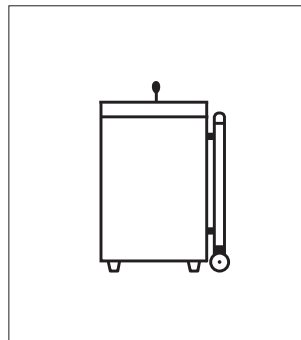
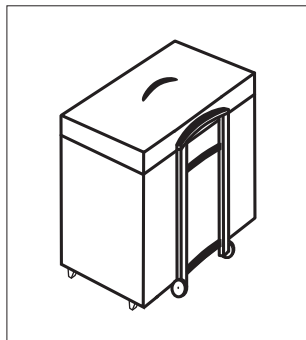
**B3**

Built-in inliner wheels. Inconspicuously integrated with smooth rolling feature.

Handle systems B1 - B3 are able to be individually combined with roller systems B1 - B3.

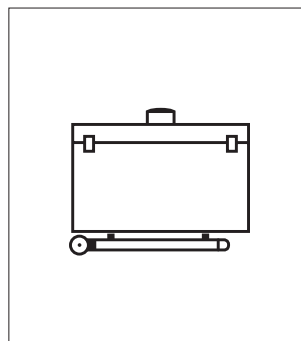
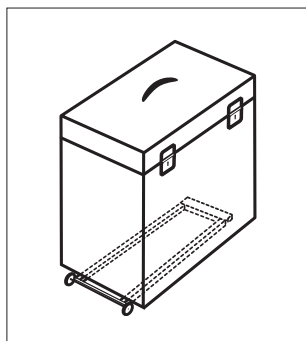
**B4** **B4**

Trolley, retractable handle with integrated rollers. Removable with quick release lock. Mounted on back side of case.



**B5** **B5**

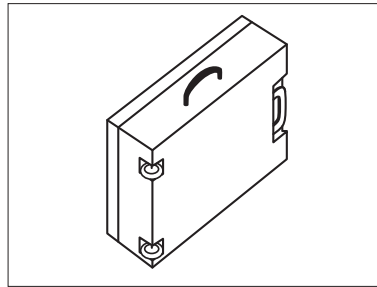
Trolley, retractable handle with integrated rollers. Removable with quick release lock. Mounted on bottom of case.



## Mobility and Handle Systems for Cases



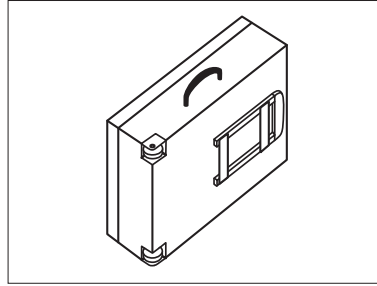
Built-in retractable handle, permanently mounted. Due to compact construction, minimal space inside the case is lost.



Built-in inliner wheels. Inconspicuously integrated with smooth rolling feature.



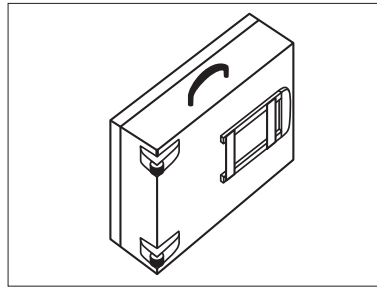
Retractable handle, permanently mounted on exterior. The affordable handle solution to retain usable space in the case.



Built-in corner rollers 50 mm.



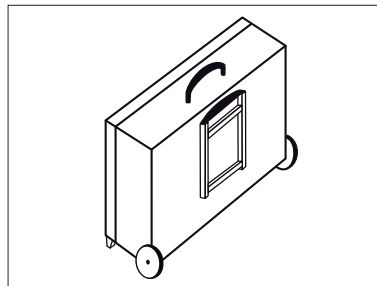
Retractable handle, permanently mounted on exterior. The affordable handle solution to retain usable space in the case.



Corner rollers 40 mm.



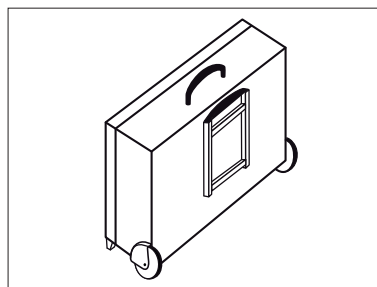
Retractable handle, permanently mounted on exterior. The affordable handle solution to retain usable space in the case.



Rollers, 150 mm wide, with rubber gripping surface for optimal comfort even on uneven grounds.



Retractable handle, permanently mounted on exterior. The affordable handle solution to retain usable space in the case.

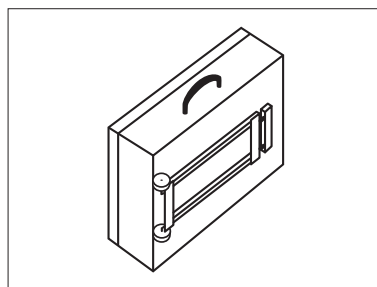


Attached rollers with "fenders"-die-cast housing, roller diameter 80 mm. Designed for use with heavy contents. Especially sturdy construction.

Handle systems K1 and K2 are able to be individually combined with roller systems K1, K2, K4, K5 and K6.



Trolley, retractable handle, mounted on exterior. Removable with quick-release lock.



## Surfaces and Colours



### Standard, flexible or individual.

For each of the production lines we offer a wide variety of surfaces and material with standard cases. Within the framework of the designated range of surfaces, complete flexibility is possible.

With an eye for detail and your satisfaction as our goal, we'll always find the surface and colour solution that meets your every expectation.

With the understanding or the minimum quantity order, we "bend over backwards" to comply with your wishes.



### Light-weight building board

for PROFESSIONAL, PROWORKS, PROWORKS FLIGHT

The special light-weight honeycomb panel made of polypropylene is the ideal material to save on weight with larger cases, yet remains enormously sturdy.

Light-weight building board, Light-weight building board  
black grey



## Surfaces and Colours - for CARGO

### HDPE - Polyethylene plastics

This extreme robust and impact resistant plastic plate allows producing robust and break-proof transport packaging.

#### 8 colours are available as standard.

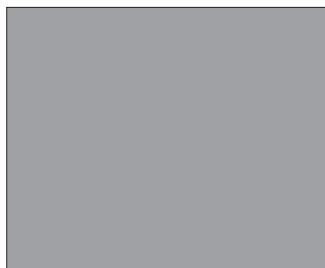
You could choose the colour for each box. This prevents confusion in day-to-day business.

#### Dichroism

This is feasible for some sizes (please ask for further information) and offers very interesting solutions for reusable packaging.



Silver-grey



Red



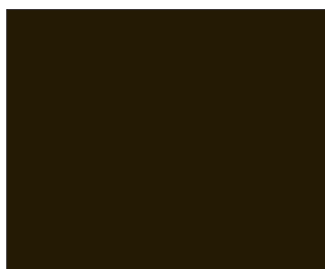
Blue



Anthracite



Black



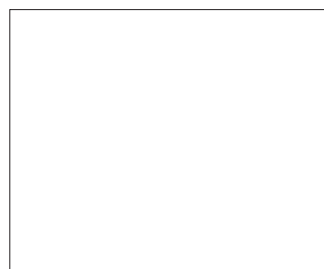
Yellow



Olive-green



White





## Surfaces and Colours - for PROFESSIONAL, PRO WORKS, PRO WORKS FLIGHT



### Laminate

Durable, attractive cases thanks to multi-layers of laminated surfaces. Perfect for robust, demanding jobs. Long-lasting and resistant to acids, oil and heat due to the use of multi-layered epoxy resin materials.



Mandarin, Red No. 431



Mandarin, Yellow No. 860



Mandarin, Green No. 450



Mandarin, Blue No. 851



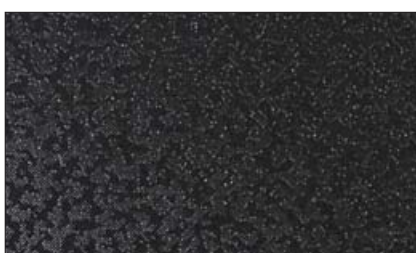
Mandarin, Grey No. 472



Mandarin, Black No. 421



Mandarin, Anthracite No. 551



Oslo, Black No. 421



Oslo, Silver-grey No. 475

---

## Interior Design

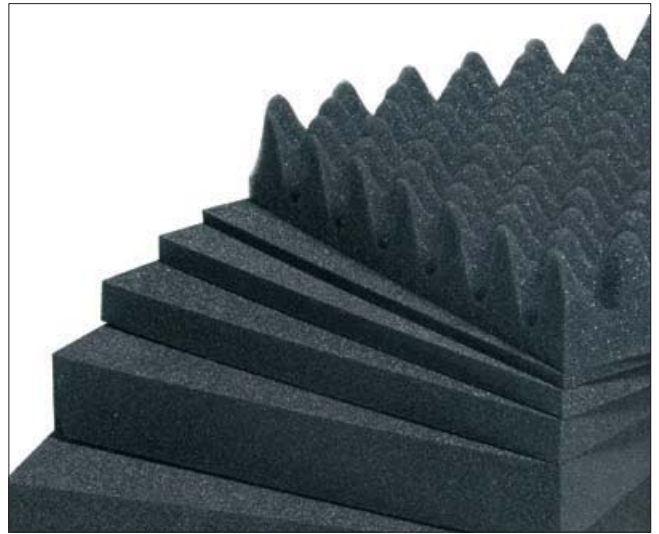
The coordinated inner features turn a case into a professional instrument for daily use. Smooth foam protects valuable content. We have precisely the right material for every possible requirement.

For optimal application in cases only two quality materials are used: Soft foam (EF) and rigid foam (PZ/LD).

### Soft foam

Pliable foam from Polyurethane (PU) with a soft feel, e.g. nap foam is ideal for case padding and is relatively affordable in bulk purchase.

The colours range increment from light to dark-grey. Standard thicknesses are 20 / 30 / 40 mm.



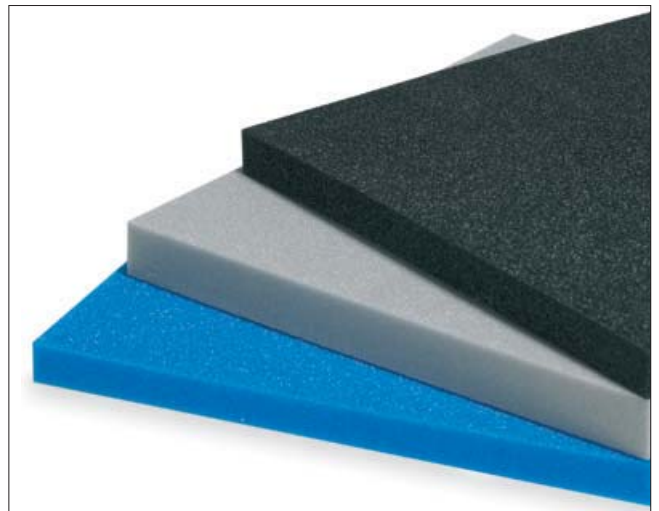
---

### Rigid foam

The dense cellular, fine-poured foam made of plastazote (PZ) is ideal in presentation solutions because of its firmness.

By use of water-jet, milling or die-cutting, all of your products will rest securely in an exactly cut form. Colours in black, light-grey and light-blue offer many possibilities.

Standard PZ thicknesses are: 5 / 10 / 15 / 20 / 30 / 40 / 50 / 60 mm. Additional thickness can be attained by laminating layers of foam.



---

### Notched foam

This specialised foam worked in panels with pre-cut notches is the perfect solution for variable dividers in cases. Increments of 15 mm allow you to design the compartments of your case to your individual needs. If necessary the size and depth of increments can be altered.



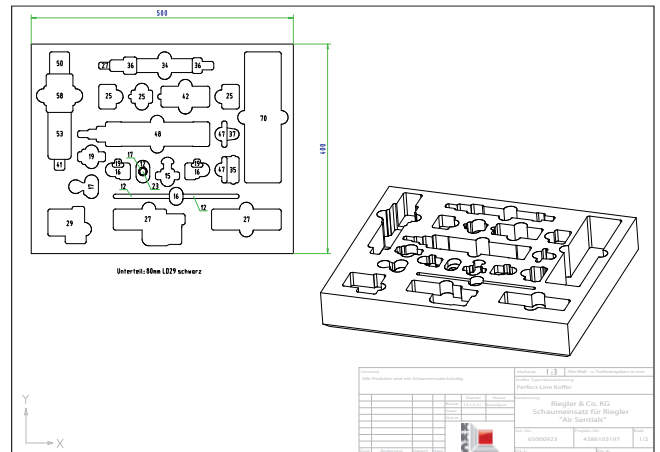


## Processing of Foam

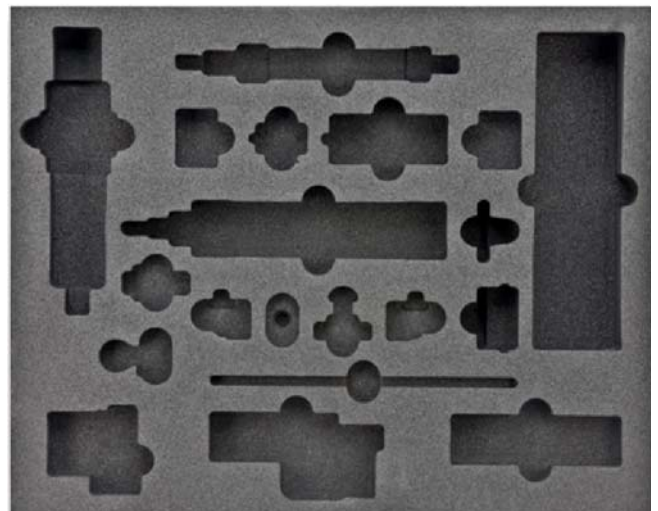


### Milling

Complete 3-dimensionality of the cut-outs can be achieved in one operation. Rigid foam pads are the inserts' basic material. The individual profile of the cut-outs is computer programmed and guided. Even different heights and depths are no problem within one cut-out. The programmed form can be identically repeated at any time.



Several incoming parts simulate the contour of the cut-outs. With the help of CAD programs the profile of all cut-outs will be identified. The ideal order of products or rather of cut-outs results from the CAD drawing.



The CNC-milling machine carves out the profile of the foam according to drawing. This form of insert can be identically repeated in bulk quantities. Quality remains the same.

## Technology and Processing

### Laser Engraving

The used machines make the direct labeling of the foams' surfaces possible. With this you will get the perfect product presentation as basis for a successful selling process.



Two-coloured milled foam insert



### Water-Jet Cutting

Absolute precision is achieved with water-jet cutting. Sharp, gentle or round profiles are perfectly formed. The different heights are achieved by craftsmanship.



### Form Cutting

The professional and of good value processing of flexible foam. Additional refining can be applied with flocking.



## Deep Recessed Inserts



Deep recessed inserts are an affordable alternative to foam. Despite the one-time machine set-up costs the unit costs can be kept low. When stability is needed for heavy tools or easy cleaning is required for presentation, this is the answer.

### Deep recessed inserts with smooth PVC

Deep recessed inserts of smooth, indelible PVC are the perfect solution when cleaning is necessary for medical instruments. Affordable, thin dividers are just the right thing for promotional and advertisement occasions. Thicker dividers are available for technical needs.

The standard colour is black; coloured and transparent inserts with textured or smooth surfaces are as well available.



### Flocked plastic deep recessed inserts

To give special value to your products, present them on a velvet-textured surface with a flocked finish. Our black and coloured material which is always in stock guarantees an elegant result.





---

## Compartment Divider Systems

Dividers come in handy when a large area needs to be compartmentalized.

### Permanently mounted dividers

Permanently mounted dividers prove their worth when the compartments are constantly in use, especially in the professional field. They are indispensable for use as a standard tool case for larger products.



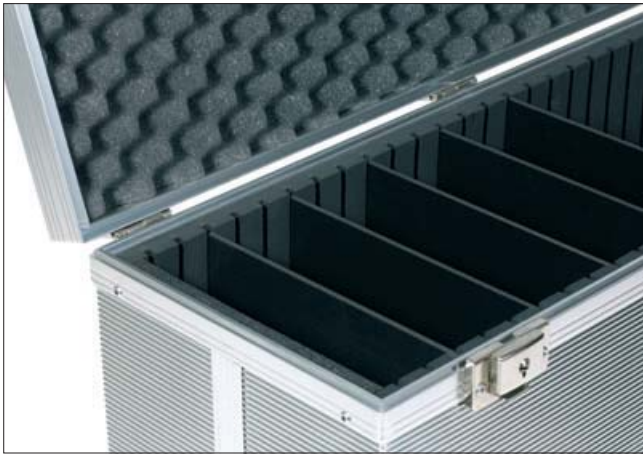
---

### Variable Compartments

Variable compartments can be achieved with simply re-inserting the dividers into the pre-cut increments. This adjustable system ensures safe transport of the case's content. They could be laminated with foam for a safer transport.



## Compartment Divider Systems



### Notch-Insert System

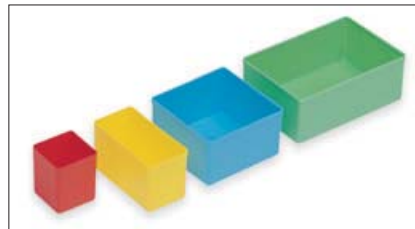
Opposite case walls are lined with notch-insert rigid foam panels, fiber board or deep inserts. According to the needed size of compartments flexible dividers are easily slid into place.



### Organisation Trays

Plastic assortment trays to achieve individual and perfect order for those small items in the case.

Four large coloured trays come as standard accessories. Customized colours, depending on the quantity, allow for limitless organization possibilities.



### Specialised trays

Specialised trays are indispensable for categorizing, organizing and establishing a clear overview for presenting all those small items. There are no limits to the variations.



---

## Panels and Mounting Boards

Panels and mounting boards for safe and protected separation of products in both upper and lower parts of the case. Documents and small items all have their place.

### Lid Panel

The lid panel ensures that all contents remain neatly and safely in place during transport.



---

### Organisation Panel

This panel acts not only to ensure that the contents remain in place but affords a diversity of possibilities for storage of documents and other items.



---

### Tool Panel

Replaceable tool panel - able to be used in the lid as a storage and protection panel.

Either single or double-sided with elastic holding bands or pouches and pockets for tools and work material. Remove the panels and you have a universal case.



## Panels and Mounting Boards



### Cover Panel

A transparent cover panel serves as optimal protection of your products and gives a clear view of your presentation.

### TROLLEY as mounting option

Removable roller systems contain 2 rollers and a multi-level retractable handle. In addition to the previous standard trolley with 50 mm large rollers, KKC offers now a comfort-alternative.

This contains even larger, gummed rollers with a diameter of 120 mm.

Thanks to the broadened wheel base the suitability for daily use will be more increased.



Comfort Trolley

Standard Trolley



## Panels and Mounting Boards

### Mounting and Front Boards

For measuring, electrical- or electronic technique the placement and mounting of instruments in case is essential. The case assembly and front board have been designed just for this purpose. The front boards are held in place by sliding nuts as well as angle extrusions with pop rivet nuts.



### Electrical Cabling and Assembly

Electrical cabling and assembly can be expertly carried out according to given plans and parts lists due to complete VDE 0100 certified electrical cabling unit. Instruments and functional parts can be integrated in the printed front board of case.





---

## Drawer Cabinets



Drawers are the professional solution for transporting and presenting small products, product parts or product groups.

A successful presentation is achieved by means of high quality drawer features such as foam inserts, deep recessed inserts or completely tailor-made solutions.



---

### Drawer Cabinets on Rollers

As an added feature we can mount your specialised drawer cabinet on rollers. When size and weight of the drawer cabinet exceed carrying convenience, our roller system is mounted which enhances effortless mobility of the complete cabinet as, for example, a brochure display.

---

## Drawer Cabinets

### Removable Drawers

Not only can these drawers be extended for ideal viewing, but they are easily removed and replaced. Sophisticated and elegant features as well as custom coating bring out the quality of your product.



---

### Drawers with Covers

For special requirements the drawers can be fitted with covers. This ensures a tight hold for content or serves as a display cover should there be a need for keeping certain items out of immediate view.

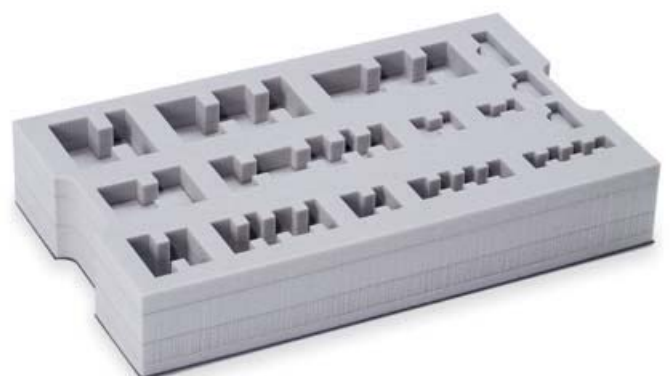
The drawer covers can be made of the same material as the drawer itself, if desired.



---

### Foam Drawer

The foam drawers are advantageous due to the light-weight rigid foam material reinforced with a bottom panel. Ideal for small and light-weight products.



## ... for every case: Individualising with CI and Promotion.

Use the surface of your case or box to promote your company:

Depending on the choice of surface we offer a wide range of possibilities for your "message", your CI or your market presence to "catch the eye" of your potential customer.

Refine "your" case.

Show your colours; show your competence through identification to your firm. Promote and strengthen your new line of products.

Use your case to penetrate the market.

Labels / Transfer Labels



Screen-printing - Direct Printing



Laser Engraving (only on aluminium plate)



Embossing (only on aluminium plate)



Digital Print, multi-coloured



Labels / Dome Labels





**KKC cases GmbH**

Tailor-made Cases and Carrying Cases  
Schröttinghauser Straße 20  
32351 Stemwede-Levern

Tel. +49 (0)5745.92050  
Fax +49 (0)5745.920529

info@kkc-cases.de  
www.kkc-cases.de

